

Electronic thermostats

THALOS

DIMENSIONS (mm)

CONNECTION DIAGRAM

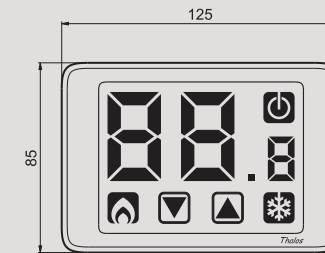
Series of wall-mounting touch screen thermostats designed for temperature control both in heating and cooling, available in white and black colours and with AC power supply or battery.



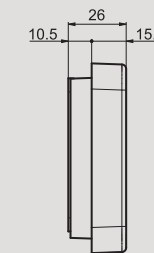
- 1 Plastic base for wall-mounting or to cover the in built three-modules box
- 2 Wide touch screen backlit display to view the measured temperature and for the instrument programming
- 3 Terminals in the back of the instrument for connection to the relay output, power supply (230V models only) and external contact (battery model only)



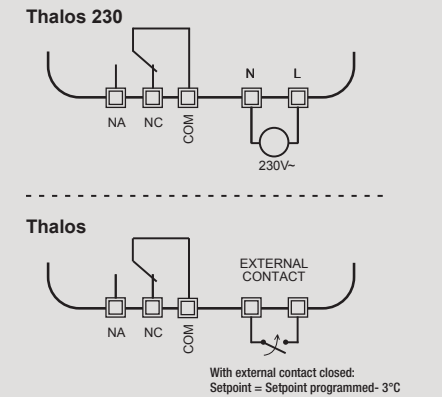
Front view



Side view



Diagram



CLIMATE CONTROL

WALL-MOUNTING TOUCH SCREEN THERMOSTATS

THALOS 230

- Power supply: 230Vac 50/60 Hz
- Operating mode: summer/winter/OFF
- ON/OFF type regulation with adjustable differential
- Off function with antifreeze temperature (adjustable)
- Monostable relay output 5 A / 250 V AC
- Password protected lock keypad
- Possibility to limit the range of values that can be set as the setpoint
- Multicolour backlighting display:
 - blue if the measured room temperature is lower than the setpoint at least of 0.5 °C;
 - green if the gap between the measured temperature and the programmed setpoint is lower than 0.5 °C;
 - red: if the measured room temperature is higher than the setpoint at least of 0.5 °C.



THALOS

- Power supply: 2x1.5V (AAA type)
- Operating mode: summer/winter/OFF
- ON/OFF type regulation with adjustable differential
- Off function with antifreeze temperature (adjustable)
- Bistable relay output with 5 A change-over contact (250 V AC)
- Password protected lock keypad
- Possibility to limit the range of values that can be set as the setpoint
- Monocolour backlighting display (blue) activation after a key pressure
- Input for free voltage contact for the reduction of the setpoint of 3°C



digital input

Code	Model	Description	Colour	Power supply
VE434700	Thalos 230 Bianco	Touchscreen thermostat 230V with multicolour display	White	230V~
VE435400	Thalos 230 Nero	Touchscreen thermostat 230V with multicolour display	Black	230V~
VE432100	Thalos Bianco	Touchscreen thermostat with backlit display	White	Batteries
VE433900	Thalos Nero	Touchscreen thermostat with backlit display	Black	Batteries

TECHNICAL INFORMATION

GENERAL CHARACTERISTICS

Thalos 230

Power supply	V AC	230 (-15% ÷ +10%)
Frequency	Hz	50/60
Mounting		wall
Maximum cables section	mm ²	1.5
Output relay capacity		5A / 250 V (monostable)
Input		-
Operating mode		summer/winter/OFF
Setpoint range	°C	2 ÷ 35
Differential	°C	0.1 ÷ 1
Measurement temperature resolution	°C	0.1
Measurement precision	°C	0.5
Antifreeze temperature	°C	1 ÷ 10
Operating temperature	°C	0 ÷ 50
Storage temperature	°C	-10 ÷ 65
Operating humidity	RH	20% ÷ 90% non condensing
Protection degree		IP40

Thalos

Alkaline batteries supply		2 x 1.5V (AAA)
Battery life	months	12
Mounting		wall
Maximum cables section	mm ²	1.5
Output relay capacity		5A / 250 V (bistable)
Input		two terminals for setpoint reduction
Operating mode		summer/winter/OFF
Setpoint range	°C	2 ÷ 35
Differential	°C	0.1 ÷ 1
Measurement temperature resolution	°C	0.1
Measurement precision	°C	0.5
Antifreeze temperature	°C	1 ÷ 10
Operating temperature	°C	0 ÷ 50
Storage temperature	°C	-10 ÷ 65
Operating humidity	RH	20% ÷ 90% non condensing
Protection degree		IP40

REFERENCE STANDARDS

Compliance with Community Directives: 2006/95/EC (Low Voltage) and 2004/108/EC (E.M.C.) is declared with reference to the following standards: • EN 60730-2-9